

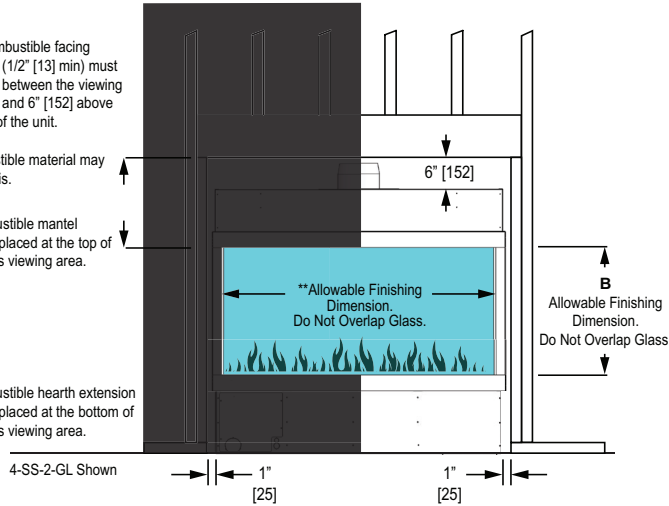
# Single Sided Safe-T-Touch (GL)

Non-combustible facing material (1/2" [13] min) must be used between the viewing opening and 6" [152] above the top of the unit.

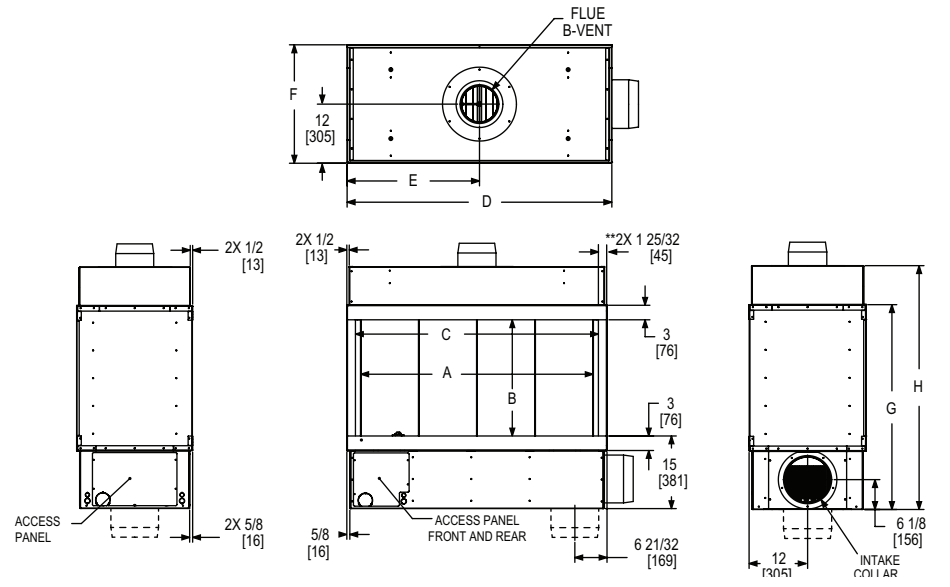
Combustible material may cover this.

A combustible mantel may be placed at the top of the glass viewing area.

A combustible hearth extension may be placed at the bottom of the glass viewing area.



See installation manual for additional clearances.



### Standard Features :

Safe-T-Touch Glass - Power Exhaust Vent - LED Media Bed Lighting - Wall Switch - Insulated Firebox - Mechanical Intake Damper - Glacier Ice Glass Media

### Options:

Additional Glass Media Choices - Mirrored Walls - Driftwood Log Set

| SPECIFICATIONS |         |        |     |        |            |
|----------------|---------|--------|-----|--------|------------|
| Model #        | BTU'S   | B-VENT | OA  | REG PV | IN-LINE PV |
| 4-SS-2-GL      | 60,000  | 8"     | 10" | RSO12  | RSIF160    |
| 5-SS-2-GL      | 80,000  | 8"     | 10" | RSO12  | RSIF160    |
| 6-SS-2-GL      | 100,000 | 10"    | 10" | RSO14  | RSIF180    |
| 7-SS-2-GL      | 120,000 | 10"    | 10" | RSO14  | RSIF180    |
| 4-SS-3-GL      | 60,000  | 8"     | 10" | RSO12  | RSIF160    |
| 5-SS-3-GL      | 80,000  | 8"     | 10" | RSO12  | RSIF160    |
| 6-SS-3-GL      | 100,000 | 10"    | 10" | RSO14  | RSIF180    |
| 7-SS-3-GL      | 120,000 | 10"    | 10" | RSO14  | RSIF180    |

If using an in-line powervent, use a -IN after the model number at time of order.

Dimensions are in inches and [millimeters].

Air intake collar may be rotated to vent off the side, or from the bottom of the fireplace.

Use UL approved B-Vent pipe and follow all manufacturer installation guidelines.  
Vent run approved up to 100' with quantity of 11, 90 degree elbows.  
1" clearance to B-Vent must be maintained.

| DIMENSIONS    |             |                    |                   |                   |             |               |               |
|---------------|-------------|--------------------|-------------------|-------------------|-------------|---------------|---------------|
| A             | B           | C                  | D                 | E                 | F           | G             | H             |
| 48<br>[1,219] | 24<br>[610] | 50-3/16<br>[1,275] | 53-3/4<br>[1,365] | 26-7/8<br>[683]   | 24<br>[610] | 42<br>[1,067] | 50<br>[1,270] |
| 60<br>[1,524] | 24<br>[610] | 62-3/16<br>[1,580] | 65-3/4<br>[1,670] | 32-7/8<br>[835]   | 24<br>[610] | 42<br>[1,067] | 50<br>[1,270] |
| 72<br>[1,829] | 24<br>[610] | 74-3/16<br>[1,884] | 77-3/4<br>[1,975] | 38-7/8<br>[987]   | 24<br>[610] | 42<br>[1,067] | 50<br>[1,270] |
| 84<br>[2,134] | 24<br>[610] | 86-3/16<br>[2,189] | 89-3/4<br>[2,280] | 44-7/8<br>[1,140] | 24<br>[610] | 42<br>[1,067] | 50<br>[1,270] |
| 48<br>[1,219] | 36<br>[914] | 50-3/16<br>[1,275] | 53-3/4<br>[1,365] | 26-7/8<br>[683]   | 24<br>[610] | 54<br>[1,372] | 62<br>[1,575] |
| 60<br>[1,524] | 36<br>[914] | 62-3/16<br>[1,580] | 65-3/4<br>[1,670] | 32-7/8<br>[835]   | 24<br>[610] | 54<br>[1,372] | 62<br>[1,575] |
| 72<br>[1,829] | 36<br>[914] | 74-3/16<br>[1,884] | 77-3/4<br>[1,975] | 38-7/8<br>[987]   | 24<br>[610] | 54<br>[1,372] | 62<br>[1,575] |
| 84<br>[2,134] | 36<br>[914] | 86-3/16<br>[2,189] | 89-3/4<br>[2,280] | 44-7/8<br>[1,140] | 24<br>[610] | 54<br>[1,372] | 62<br>[1,575] |

No combustible material within 6" of the top of the fireplace.  
No combustible material within 1" of the sides and back of the fireplace.  
Combustible material shall not be placed directly on the face of the fireplace, top and sides. May be covered with a non-combustible.  
Combustible material allowed on the face of the fireplace below the bottom viewing edge only.

Flat covers will cover the component access. Gas and electric inlets are located behind this panel.  
There is access from the inside of fireplace as well. Plan for access to components prior to installing finishing materials.

| MINIMUM FRAMING DIMENSIONS |               |             |
|----------------------------|---------------|-------------|
| WIDTH                      | HEIGHT        | DEPTH       |
| 55-3/4<br>[1,416]          | 56<br>[1,422] | 25<br>[636] |
| 67-3/4<br>[1,721]          | 56<br>[1,422] | 25<br>[636] |
| 79-3/4<br>[2,026]          | 56<br>[1,422] | 25<br>[636] |
| 91-3/4<br>[2,330]          | 56<br>[1,422] | 25<br>[636] |
| 55-3/4<br>[1,416]          | 68<br>[1,727] | 25<br>[636] |
| 67-3/4<br>[1,721]          | 68<br>[1,727] | 25<br>[636] |
| 79-3/4<br>[2,026]          | 68<br>[1,727] | 25<br>[636] |
| 91-3/4<br>[2,330]          | 68<br>[1,727] | 25<br>[636] |

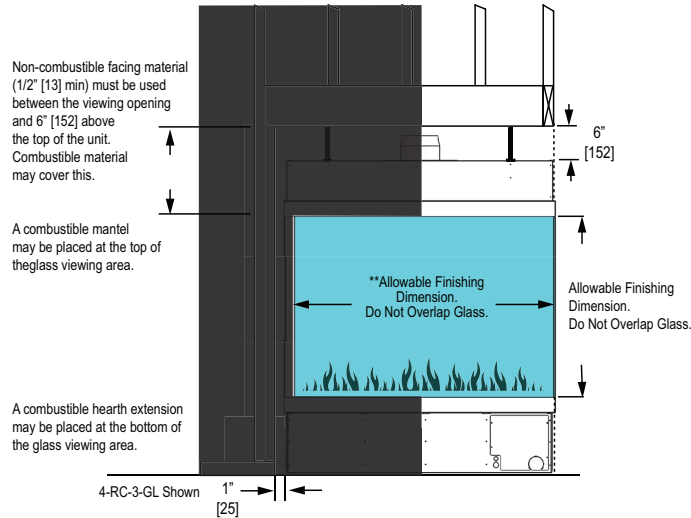
**IMPORTANT: FRAMING DIMENSIONS ASSUMING 1/2" DRYWALL AND NON-COMBUSTIBLE BOARD USED.**

All local building codes must be followed.

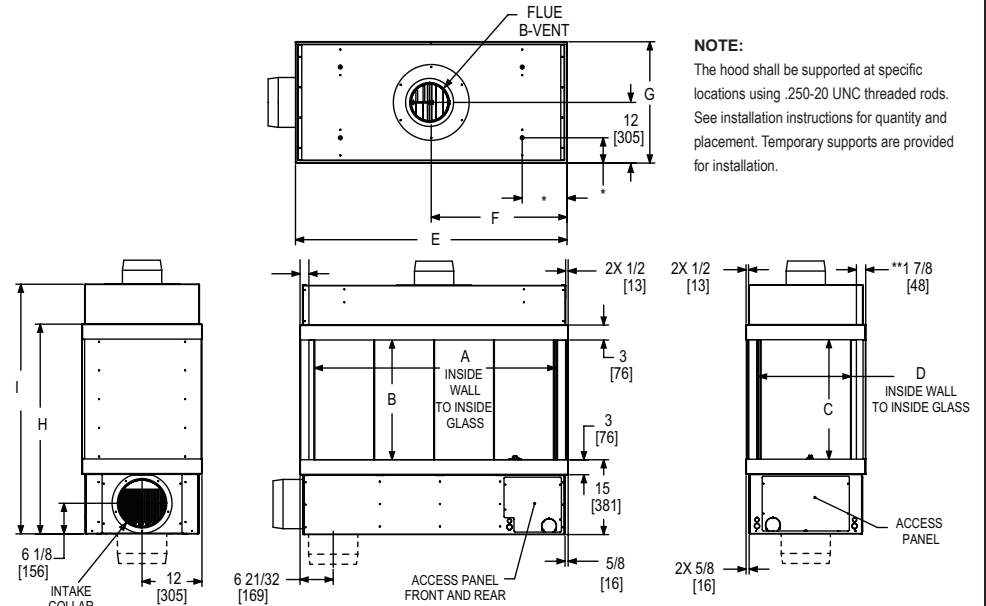
Refer to complete installation manual PRIOR to installation to verify measurement and clearance requirements.



# Right Corner Safe-T-Touch (GL)



See installation manual for additional clearances.



**NOTE:**  
The hood shall be supported at specific locations using .250-20 UNC threaded rods. See installation instructions for quantity and placement. Temporary supports are provided for installation.

### Standard Features :

Safe-T-Touch Glass - Power Exhaust Vent - LED Media Bed Lighting - Wall Switch - Insulated Firebox - Mechanical Intake Damper - Glacier Ice Glass Media

### Options:

Additional Glass Media Choices - Mirrored Walls - Driftwood Log Set

| SPECIFICATIONS |         |        |     |        |            |
|----------------|---------|--------|-----|--------|------------|
| Model #        | BTU'S   | B-VENT | OA  | REG PV | IN-LINE PV |
| 4-RC-2-GL      | 60,000  | 8"     | 10" | RSO12  | RSIF160    |
| 5-RC-2-GL      | 80,000  | 8"     | 10" | RSO12  | RSIF160    |
| 6-RC-2-GL      | 100,000 | 10"    | 10" | RSO14  | RSIF180    |
| 7-RC-2-GL      | 120,000 | 10"    | 10" | RSO14  | RSIF180    |
| 4-RC-3-GL      | 60,000  | 8"     | 10" | RSO12  | RSIF160    |
| 5-RC-3-GL      | 80,000  | 8"     | 10" | RSO12  | RSIF160    |
| 6-RC-3-GL      | 100,000 | 10"    | 10" | RSO14  | RSIF180    |
| 7-RC-3-GL      | 120,000 | 10"    | 10" | RSO14  | RSIF180    |

If using an in-line powervent, use a -IN after the model number at time of order.

Dimensions are in inches and [millimeters].

Air intake collar may be rotated to vent off the side, or from the bottom of the fireplace.

Use UL approved B-Vent pipe and follow all manufacturer installation guidelines. Vent run approved up to 100' with quantity of 11, 90 degree elbows. 1" clearance to B-Vent must be maintained.

| DIMENSIONS       |          |          |               |                |                |          |            |            |  |
|------------------|----------|----------|---------------|----------------|----------------|----------|------------|------------|--|
| A                | B        | C        | D             | E              | F              | G        | H          | I          |  |
| 48 13/32 [1,230] | 24 [610] | 24 [610] | 18-9/16 [471] | 53-3/4 [1,365] | 26-7/8 [683]   | 24 [610] | 42 [1,067] | 50 [1,270] |  |
| 60 13/32 [1,534] | 24 [610] | 24 [610] | 18-9/16 [471] | 65-3/4 [1,670] | 32-7/8 [835]   | 24 [610] | 42 [1,067] | 50 [1,270] |  |
| 72 13/32 [1,839] | 24 [610] | 24 [610] | 18-9/16 [471] | 77-3/4 [1,975] | 38-7/8 [987]   | 24 [610] | 42 [1,067] | 50 [1,270] |  |
| 84 13/32 [2,144] | 24 [610] | 24 [610] | 18-9/16 [471] | 89-3/4 [2,280] | 44-7/8 [1,140] | 24 [610] | 42 [1,067] | 50 [1,270] |  |
| 48 13/32 [1,230] | 36 [914] | 36 [914] | 18-9/16 [471] | 53-3/4 [1,365] | 26-7/8 [683]   | 24 [610] | 54 [1,372] | 62 [1,575] |  |
| 60 13/32 [1,534] | 36 [914] | 36 [914] | 18-9/16 [471] | 65-3/4 [1,670] | 32-7/8 [835]   | 24 [610] | 54 [1,372] | 62 [1,575] |  |
| 72 13/32 [1,839] | 36 [914] | 36 [914] | 18-9/16 [471] | 77-3/4 [1,975] | 38-7/8 [987]   | 24 [610] | 54 [1,372] | 62 [1,575] |  |
| 84 13/32 [2,144] | 36 [914] | 36 [914] | 18-9/16 [471] | 89-3/4 [2,280] | 44-7/8 [1,140] | 24 [610] | 54 [1,372] | 62 [1,575] |  |

No combustible material within 6" of the top of the fireplace.  
No combustible material within 1" of the sides and back of the fireplace.  
Combustible material shall not be placed directly on the face of the fireplace, top and sides. May be covered with a non-combustible.  
Combustible material allowed on the face of the fireplace below the bottom viewing edge only.

Flat covers will cover the component access. Gas and electric inlets are located behind this panel. There is access from the inside of fireplace as well. Plan for access to components prior to installing finishing materials.

| MINIMUM FRAMING DIMENSIONS |            |          |
|----------------------------|------------|----------|
| WIDTH                      | HEIGHT     | DEPTH    |
| 54-3/4 [1,391]             | 56 [1,422] | 25 [636] |
| 66-3/4 [1,695]             | 56 [1,422] | 25 [635] |
| 78-3/4 [2,000]             | 56 [1,422] | 25 [635] |
| 90-3/4 [2,305]             | 56 [1,422] | 25 [635] |
| 54-3/4 [1,391]             | 68 [1,727] | 25 [635] |
| 66-3/4 [1,695]             | 68 [1,727] | 25 [635] |
| 78-3/4 [2,000]             | 68 [1,727] | 25 [635] |
| 90-3/4 [2,305]             | 68 [1,727] | 25 [635] |

**IMPORTANT: FRAMING DIMENSIONS ASSUMING 1/2" DRYWALL AND NON-COMBUSTIBLE BOARD USED.**

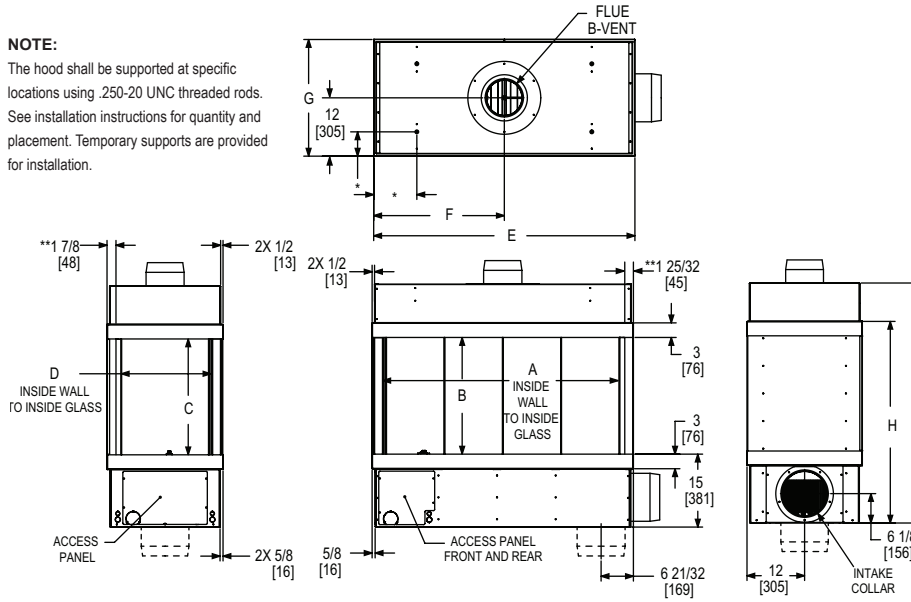
All local building codes must be followed.

Refer to complete installation manual PRIOR to installation to verify measurement and clearance requirements.

# Left Corner Safe-T-Touch (GL)

**NOTE:**

The hood shall be supported at specific locations using .250-20 UNC threaded rods. See installation instructions for quantity and placement. Temporary supports are provided for installation.

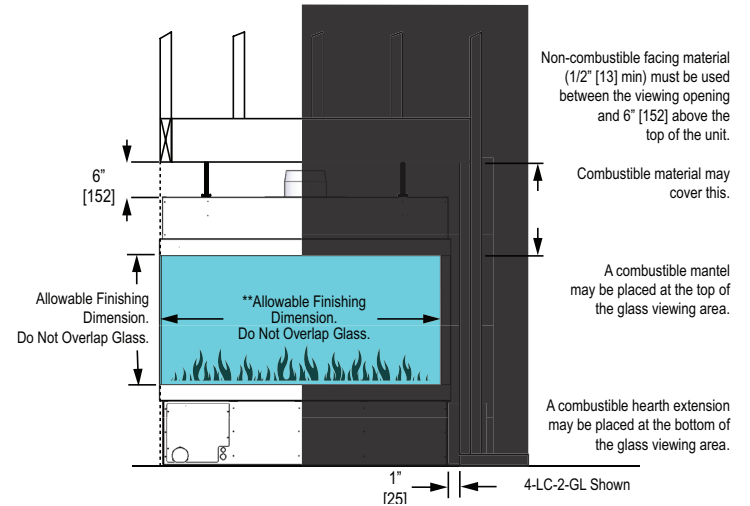


**Standard Features :**

Safe-T-Touch Glass - Power Exhaust Vent - LED Media Bed Lighting - Wall Switch - Insulated Firebox - Mechanical Intake Damper - Glacier Ice Glass Media

**Options:**

Additional Glass Media Choices - Mirrored Walls - Driftwood Log Set



See installation manual for additional clearances.

| SPECIFICATIONS |         |        |     |        |            |
|----------------|---------|--------|-----|--------|------------|
| Model #        | BTU'S   | B-VENT | OA  | REG PV | IN-LINE PV |
| 4-LC-2-GL      | 60,000  | 8"     | 10" | RSO12  | RSIF160    |
| 5-LC-2-GL      | 80,000  | 8"     | 10" | RSO12  | RSIF160    |
| 6-LC-2-GL      | 100,000 | 10"    | 10" | RSO14  | RSIF180    |
| 7-LC-2-GL      | 120,000 | 10"    | 10" | RSO14  | RSIF180    |
| 4-LC-3-GL      | 60,000  | 8"     | 10" | RSO12  | RSIF160    |
| 5-LC-3-GL      | 80,000  | 8"     | 10" | RSO12  | RSIF160    |
| 6-LC-3-GL      | 100,000 | 10"    | 10" | RSO14  | RSIF180    |
| 7-LC-3-GL      | 120,000 | 10"    | 10" | RSO14  | RSIF180    |

If using an in-line powervent, use a -IN after the model number at time of order.

Dimensions are in inches and [millimeters].

Air intake collar may be rotated to vent off the side, or from the bottom of the fireplace.

Use UL approved B-Vent pipe and follow all manufacturer installation guidelines. Vent run approved up to 100' with quantity of 11, 90 degree elbows. 1" clearance to B-Vent must be maintained.

| DIMENSIONS          |             |             |                  |                   |                   |             |               |               |  |
|---------------------|-------------|-------------|------------------|-------------------|-------------------|-------------|---------------|---------------|--|
| A                   | B           | C           | D                | E                 | F                 | G           | H             | I             |  |
| 48 13/32<br>[1,230] | 24<br>[610] | 24<br>[610] | 18-9/16<br>[471] | 53-3/4<br>[1,365] | 26-7/8<br>[683]   | 24<br>[610] | 42<br>[1,067] | 50<br>[1,270] |  |
| 60 13/32<br>[1,534] | 24<br>[610] | 24<br>[610] | 18-9/16<br>[471] | 65-3/4<br>[1,670] | 32-7/8<br>[835]   | 24<br>[610] | 42<br>[1,067] | 50<br>[1,270] |  |
| 72 13/32<br>[1,839] | 24<br>[610] | 24<br>[610] | 18-9/16<br>[471] | 77-3/4<br>[1,975] | 38-7/8<br>[987]   | 24<br>[610] | 42<br>[1,067] | 50<br>[1,270] |  |
| 84 13/32<br>[2,144] | 24<br>[610] | 24<br>[610] | 18-9/16<br>[471] | 89-3/4<br>[2,280] | 44-7/8<br>[1,140] | 24<br>[610] | 42<br>[1,067] | 50<br>[1,270] |  |
| 48 13/32<br>[1,230] | 36<br>[914] | 36<br>[914] | 18-9/16<br>[471] | 53-3/4<br>[1,365] | 26-7/8<br>[683]   | 24<br>[610] | 54<br>[1,372] | 62<br>[1,575] |  |
| 60 13/32<br>[1,534] | 36<br>[914] | 36<br>[914] | 18-9/16<br>[471] | 65-3/4<br>[1,670] | 32-7/8<br>[835]   | 24<br>[610] | 54<br>[1,372] | 62<br>[1,575] |  |
| 72 13/32<br>[1,839] | 36<br>[914] | 36<br>[914] | 18-9/16<br>[471] | 77-3/4<br>[1,975] | 38-7/8<br>[987]   | 24<br>[610] | 54<br>[1,372] | 62<br>[1,575] |  |
| 84 13/32<br>[2,144] | 36<br>[914] | 36<br>[914] | 18-9/16<br>[471] | 89-3/4<br>[2,280] | 44-7/8<br>[1,140] | 24<br>[610] | 54<br>[1,372] | 62<br>[1,575] |  |

No combustible material within 6" of the top of the fireplace.  
No combustible material within 1" of the sides and back of the fireplace.  
Combustible material shall not be placed directly on the face of the fireplace, top and sides. May be covered with a non-combustible.  
Combustible material allowed on the face of the fireplace below the bottom viewing edge only.

Flat covers will cover the component access. Gas and electric inlets are located behind this panel. There is access from the inside of fireplace as well. Plan for access to components prior to installing finishing materials.

**MINIMUM FRAMING DIMENSIONS**

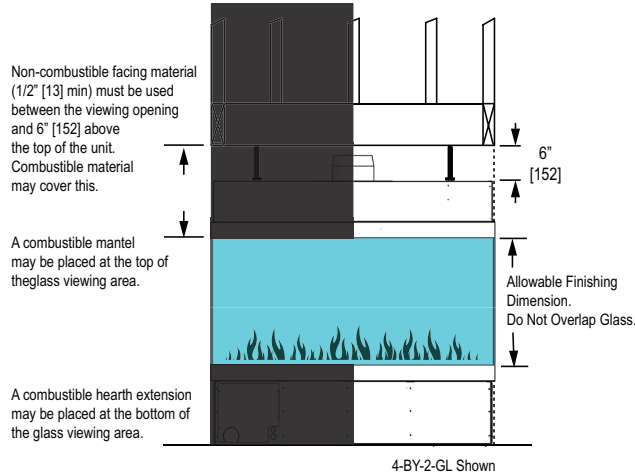
| WIDTH             | HEIGHT        | DEPTH        |
|-------------------|---------------|--------------|
| 54-3/4<br>[1,391] | 56<br>[1,422] | 25<br>[636]  |
| 66-3/4<br>[1,695] | 56<br>[1,422] | 25<br>[636]  |
| 78-3/4<br>[2,000] | 56<br>[1,422] | 25<br>[636]  |
| 90-3/4<br>[2,305] | 56<br>[1,422] | 25<br>[636]  |
| 54-3/4<br>[1,391] | 68<br>[1,727] | 25<br>[636]  |
| 66-3/4<br>[1,695] | 68<br>[1,727] | 25<br>[636]  |
| 78-3/4<br>[2,000] | 68<br>[1,727] | 25<br>[636]  |
| 90-3/4<br>[2,305] | 68<br>[1,727] | 23<br>[584]] |

**IMPORTANT: FRAMING DIMENSIONS ASSUMING 1/2" DRYWALL AND NON-COMBUSTIBLE BOARD USED.**

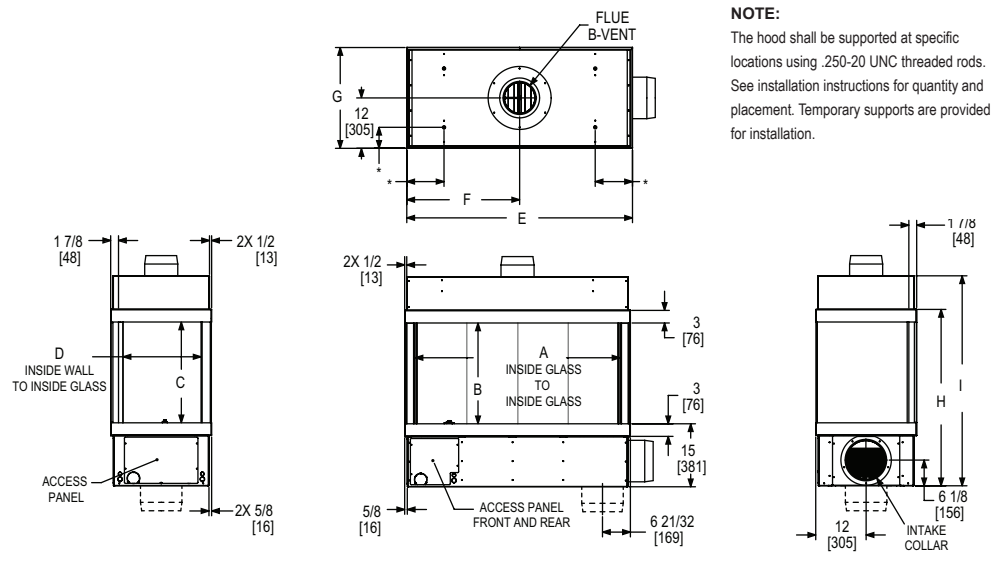
All local building codes must be followed.

Refer to complete installation manual PRIOR to installation to verify measurement and clearance requirements.

# Safe-T-Touch (GL)



See installation manual for additional clearances.



**NOTE:**  
The hood shall be supported at specific locations using .250-20 UNC threaded rods. See installation instructions for quantity and placement. Temporary supports are provided for installation.

**Standard Features :**

Safe-T-Touch Glass - Power Exhaust Vent - LED Media Bed Lighting - Wall Switch - Insulated Firebox - Mechanical Intake Damper - Glacier Ice Glass Media

**Options:**

Additional Glass Media Choices - Mirrored Walls - Driftwood Log Set

| SPECIFICATIONS  |         |        |     |        |            |
|---|---------|--------|-----|--------|------------|
| Model #   | BTU'S   | B-VENT | OA  | REG PV | IN-LINE PV |
| 4-BY-2-GL   | 60,000  | 8"     | 10" | RSO12  | RSIF160    |
| 5-BY-2-GL   | 80,000  | 8"     | 10" | RSO12  | RSIF160    |
| 6-BY-2-GL   | 100,000 | 10"    | 10" | RSO14  | RSIF180    |
| 7-BY-2-GL   | 120,000 | 10"    | 10" | RSO14  | RSIF180    |
| 4-BY-3-GL   | 60,000  | 8"     | 10" | RSO12  | RSIF160    |
| 5-BY-3-GL   | 80,000  | 8"     | 10" | RSO12  | RSIF160    |
| 6-BY-3-GL   | 100,000 | 10"    | 10" | RSO14  | RSIF180    |
| 7-BY-3-GL   | 120,000 | 10"    | 10" | RSO14  | RSIF180    |
| If using an in-line powervent, use a -IN after the model number at time of order.   |         |        |     |        |            |
| Dimensions are in inches and [millimeters].   |         |        |     |        |            |
| Air intake collar may be rotated to vent off the side, or from the bottom of the fireplace.   |         |        |     |        |            |
| Use UL approved B-Vent pipe and follow all manufacturer installation guidelines. Vent run approved up to 100' with quantity of 11, 90 degree elbows. 1" clearance to B-Vent must be maintained. |         |        |     |        |            |

| DIMENSIONS  |          |          |               |                |                |          |            |            |  |
|---|----------|----------|---------------|----------------|----------------|----------|------------|------------|--|
| A   | B        | C        | D             | E              | F              | G        | H          | I          |  |
| 48 25/32 [1,239]  | 24 [610] | 24 [610] | 18-9/16 [471] | 53-3/4 [1,365] | 26-7/8 [683]   | 24 [610] | 42 [1,067] | 50 [1,270] |  |
| 60 25/32 [1,544]  | 24 [610] | 24 [610] | 18-9/16 [471] | 65-3/4 [1,670] | 32-7/8 [835]   | 24 [610] | 42 [1,067] | 50 [1,270] |  |
| 72 25/32 [1,849]  | 24 [610] | 24 [610] | 18-9/16 [471] | 77-3/4 [1,975] | 38-7/8 [987]   | 24 [610] | 42 [1,067] | 50 [1,270] |  |
| 84 25/32 [2,153]  | 24 [610] | 24 [610] | 18-9/16 [471] | 89-3/4 [2,280] | 44-7/8 [1,140] | 24 [610] | 42 [1,067] | 50 [1,270] |  |
| 48 25/32 [1,239]  | 36 [914] | 36 [914] | 18-9/16 [471] | 53-3/4 [1,365] | 26-7/8 [683]   | 24 [610] | 54 [1,372] | 62 [1,575] |  |
| 60 25/32 [1,544]  | 36 [914] | 36 [914] | 18-9/16 [471] | 65-3/4 [1,670] | 32-7/8 [835]   | 24 [610] | 54 [1,372] | 62 [1,575] |  |
| 72 25/32 [1,849]  | 36 [914] | 36 [914] | 18-9/16 [471] | 77-3/4 [1,975] | 38-7/8 [987]   | 24 [610] | 54 [1,372] | 62 [1,575] |  |
| 84 25/32 [2,153]  | 36 [914] | 36 [914] | 18-9/16 [471] | 89-3/4 [2,280] | 44-7/8 [1,140] | 24 [610] | 54 [1,372] | 62 [1,575] |  |
| No combustible material within 6" of the top of the fireplace.<br>No combustible material within 1" of the sides and back of the fireplace.<br>Combustible material shall not be placed directly on the face of the fireplace, top and sides. May be covered with a non-combustible.<br>Combustible material allowed on the face of the fireplace below the bottom viewing edge only. |          |          |               |                |                |          |            |            |  |
| Flat covers will cover the component access. Gas and electric inlets are located behind this panel. There is access from the inside of fireplace as well.   |          |          |               |                |                |          |            |            |  |

| MINIMUM FRAMING DIMENSIONS  |            |          |
|---|------------|----------|
| WIDTH   | HEIGHT     | DEPTH    |
| 52 3/4 [1,340]  | 56 [1,422] | 25 [635] |
| 64 3/4 [1,645]  | 56 [1,422] | 25 [635] |
| 76 3/4 [1,949]  | 56 [1,422] | 25 [635] |
| 88 3/4 [2,254]  | 56 [1,422] | 25 [635] |
| 52 3/4 [1,340]  | 68 [1,727] | 25 [635] |
| 64 3/4 [1,645]  | 68 [1,727] | 25 [635] |
| 76 3/4 [1,949]  | 68 [1,727] | 25 [635] |
| 88 3/4 [2,254]  | 68 [1,727] | 25 [635] |
| <b>IMPORTANT: FRAMING DIMENSIONS ASSUMING 1/2" DRYWALL AND NON-COMBUSTIBLE BOARD USED.</b>                    |            |          |
| All local building codes must be followed.  |            |          |
| Refer to complete installation manual PRIOR to installation to verify measurement and clearance requirements. |            |          |



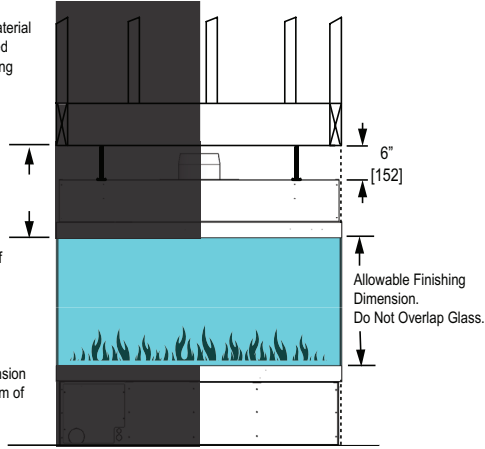
# Four Sided Safe-T-Touch (GL)

Non-combustible facing material (1/2" [13] min) must be used between the viewing opening and 6" [152] above the top of the unit.

Combustible material may cover this.

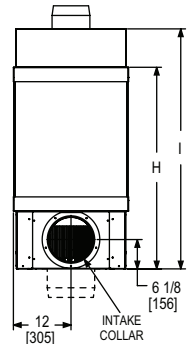
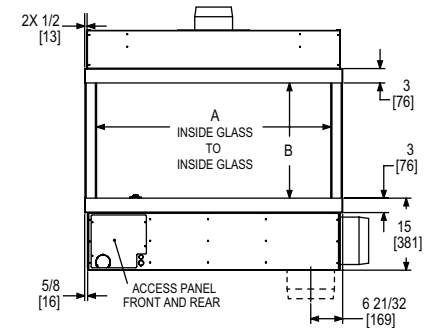
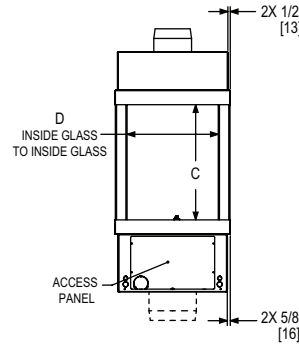
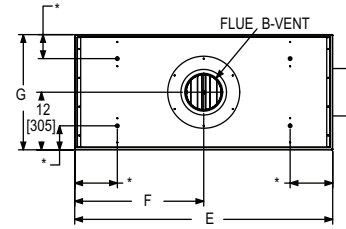
A combustible mantel may be placed at the top of the glass viewing area.

A combustible hearth extension may be placed at the bottom of the glass viewing area.



4-4S-2-GL Shown

See installation manual for additional clearances.



**NOTE:**  
The hood shall be supported at specific locations using .250-20 UNC threaded rods. See installation instructions for quantity and placement. Temporary supports are provided for installation.

**Standard Features :**

Safe-T-Touch Glass - Power Exhaust Vent - LED Media Bed Lighting - Wall Switch - Insulated Firebox - Mechanical Intake Damper - Glacier Ice Glass Media

**Options:**

Additional Glass Media Choices - Mirrored Walls - Driftwood Log Set

| SPECIFICATIONS  |         |        |     |        |            |
|---|---------|--------|-----|--------|------------|
| Model #   | BTU'S   | B-VENT | OA  | REG PV | IN-LINE PV |
| 4-4S-2-GL   | 60,000  | 8"     | 10" | RSO12  | RSIF160    |
| 5-4S-2-GL   | 80,000  | 8"     | 10" | RSO12  | RSIF160    |
| 6-4S-2-GL   | 100,000 | 10"    | 10" | RSO14  | RSIF180    |
| 7-4S-2-GL   | 120,000 | 10"    | 10" | RSO14  | RSIF180    |
| 4-4S-3-GL   | 60,000  | 8"     | 10" | RSO12  | RSIF160    |
| 5-4S-3-GL   | 80,000  | 8"     | 10" | RSO12  | RSIF160    |
| 6-4S-3-GL   | 100,000 | 10"    | 10" | RSO14  | RSIF180    |
| 7-4S-3-GL   | 120,000 | 10"    | 10" | RSO14  | RSIF180    |
| If using an in-line power vent, use a -IN after the model number at time of order.  |         |        |     |        |            |
| Dimensions are in inches and [millimeters].   |         |        |     |        |            |
| Air intake collar may be rotated to vent off the side, or from the bottom of the fireplace.   |         |        |     |        |            |
| Use UL approved B-Vent pipe and follow all manufacturer installation guidelines. Vent run approved up to 100' with quantity of 11, 90 degree elbows. 1" clearance to B-Vent must be maintained. |         |        |     |        |            |

| DIMENSIONS  |             |             |             |                   |                   |             |               |               |  |  |
|---|-------------|-------------|-------------|-------------------|-------------------|-------------|---------------|---------------|--|--|
| A   | B           | C           | D           | E                 | F                 | G           | H             | I             |  |  |
| 48 25/32<br>[1,239]   | 24<br>[610] | 24<br>[610] | 19<br>[483] | 53-3/4<br>[1,365] | 26-7/8<br>[683]   | 24<br>[610] | 42<br>[1,067] | 50<br>[1,270] |  |  |
| 60 25/32<br>[1,544]   | 24<br>[610] | 24<br>[610] | 19<br>[483] | 65-3/4<br>[1,670] | 32-7/8<br>[835]   | 24<br>[610] | 42<br>[1,067] | 50<br>[1,270] |  |  |
| 72 25/32<br>[1,849]   | 24<br>[610] | 24<br>[610] | 19<br>[483] | 77-3/4<br>[1,975] | 38-7/8<br>[987]   | 24<br>[610] | 42<br>[1,067] | 50<br>[1,270] |  |  |
| 84 25/32<br>[2,153]   | 24<br>[610] | 24<br>[610] | 19<br>[483] | 89-3/4<br>[2,280] | 44-7/8<br>[1,140] | 24<br>[610] | 42<br>[1,067] | 50<br>[1,270] |  |  |
| 48 25/32<br>[1,239]   | 36<br>[914] | 36<br>[914] | 19<br>[483] | 53-3/4<br>[1,365] | 26-7/8<br>[683]   | 24<br>[610] | 54<br>[1,372] | 62<br>[1,575] |  |  |
| 60 25/32<br>[1,544]   | 36<br>[914] | 36<br>[914] | 19<br>[483] | 65-3/4<br>[1,670] | 32-7/8<br>[835]   | 24<br>[610] | 54<br>[1,372] | 62<br>[1,575] |  |  |
| 72 25/32<br>[1,849]   | 36<br>[914] | 36<br>[914] | 19<br>[483] | 77-3/4<br>[1,975] | 38-7/8<br>[987]   | 24<br>[610] | 54<br>[1,372] | 62<br>[1,575] |  |  |
| 84 25/32<br>[2,153]   | 36<br>[914] | 36<br>[914] | 19<br>[483] | 89-3/4<br>[2,280] | 44-7/8<br>[1,140] | 24<br>[610] | 54<br>[1,372] | 62<br>[1,575] |  |  |
| No combustible material within 6" of the top of the fireplace.<br>No combustible material within 1" of the sides and back of the fireplace.<br>Combustible material shall not be placed directly on the face of the fireplace, top and sides. May be covered with non-combustible.<br>Combustible material allowed on the face of the fireplace below the bottom viewing edge only. |             |             |             |                   |                   |             |               |               |  |  |
| Flat covers will cover the component access. Gas and electric inlets are located behind this panel. There is access from the inside of fireplace as well.   |             |             |             |                   |                   |             |               |               |  |  |

| MINIMUM FRAMING DIMENSIONS  |               |             |
|---|---------------|-------------|
| WIDTH   | HEIGHT        | DEPTH       |
| 52-3/4<br>[1,340]   | 56<br>[1,422] | 23<br>[584] |
| 64-3/4<br>[1,645]   | 56<br>[1,422] | 23<br>[584] |
| 76-3/4<br>[1,949]   | 56<br>[1,422] | 23<br>[584] |
| 88-3/4<br>[2,254]   | 56<br>[1,422] | 23<br>[584] |
| 52-3/4<br>[1,340]   | 68<br>[1,727] | 23<br>[584] |
| 64-3/4<br>[1,645]   | 68<br>[1,727] | 23<br>[584] |
| 76-3/4<br>[1,949]   | 68<br>[1,727] | 23<br>[584] |
| 88-3/4<br>[2,254]   | 68<br>[1,727] | 23<br>[584] |
| <b>IMPORTANT: FRAMING DIMENSIONS ASSUMING 1/2" DRYWALL AND NON-COMBUSTIBLE BOARD USED.</b>                    |               |             |
| All local building codes must be followed.  |               |             |
| Refer to complete installation manual PRIOR to installation to verify measurement and clearance requirements. |               |             |